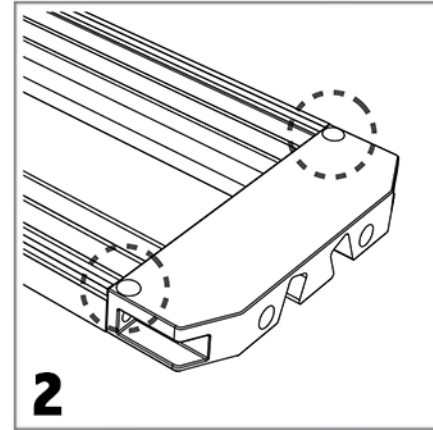


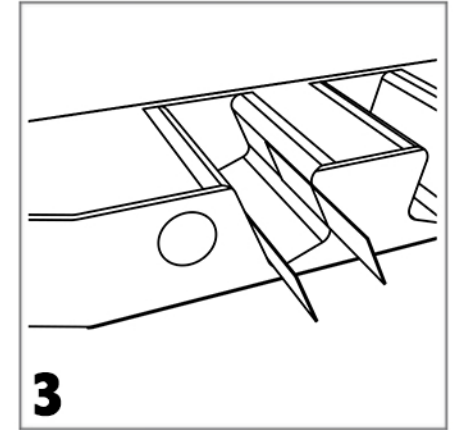
1

While installing, make sure the black aluminum body is aligned with the orange / green guards on both sides before screwing.
Do not overscrew.
(Overscrewing may cause damage to the threads.)



2


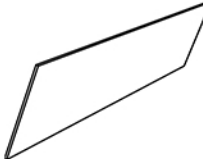


Four anti-slip pads included in the accessory kit can be inserted into the bottom of both side guards.



3

(Optional) The PU strip can be placed into the cellular phone slot. The strip can be cut/adjusted according to different devices and models for a better fit.

Accessory Kit Contents

	X 8		X 1		X 4		X 1
---	-----	---	-----	---	-----	---	-----

